

Product Sheet

RAVINE CROSSING

S361



4-15 YEARS



2-3 PERSONS-HOURS

Product Information

Product type Wooden adventure path
Certification EN-1176
Dimensions 3,1 x 0,9 x 1,4 m
 (length x width x height)

Materials

Type of wood: larch
Round wooden poles 10 and 12 cm thickness
Galvanized chains
Polyester-coated tubes 35 mm
Flower-shaped plastic caps
Galvanized metal base supports

Technical Information

Maximum fall height 60 cm
Security zone 23,5 m²
Number of children
Concrete required
No surface fixation available

Product Description

Adventurous playground equipment for children aged 4 to 15. The ravine crossing has 2 railings and 9 wobbly poles which are attached to each other and to the railing by galvanized chains. The poles are in larch, the vertical poles are installed by using base supports in the ground. The railings are green and polyester coated. All metal parts are treated against rust and all nuts and bolts are completely covered with flower shaped plastic protection caps.

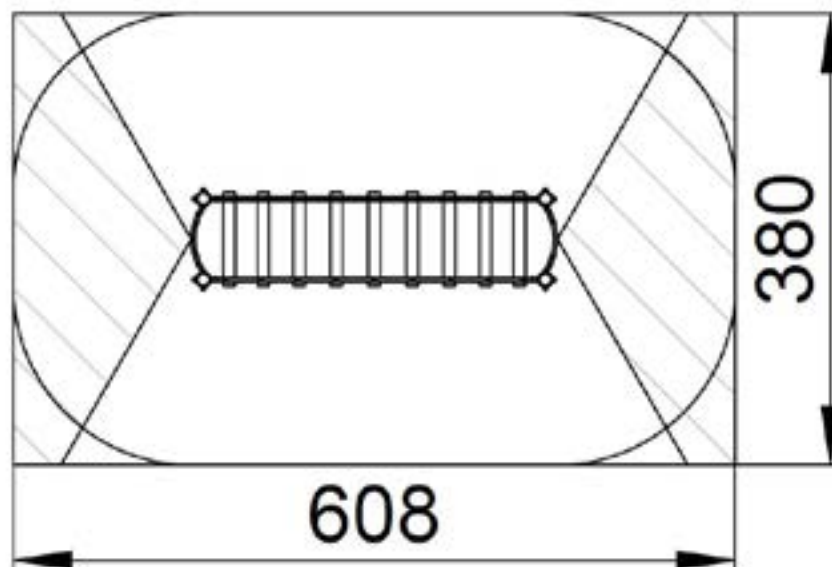
Product Sheet

RAVINE CROSSING

S361



Security Zone



CERTIFICAT

TÜV RHEINLAND BELGIUM

Certificies that the visual and dimensional check on the
playground equipment

S361 Ravine crossing

that was performed at and brought onto the market by

**Europlay
Kinderhout N.V.**

**Eegene 9
B-9200 Dendermonde**



Does comply with:

EN 1176-1 : 2008

the inspection was performed in :

December 2008

according to report-no.:

B084033

Zaventem, 30/12/2008



G. Willems



S. Lauwers