

# Product Sheet

## BEETLE BRIDGE IN ROBINIA (STAINLESS STEEL TUBES)

RO500



6-14 YEARS



2-12 PERSONS-HOURS

### Product Information

Product type	Robinia playground equipment
Certification	EN-1176
Dimensions	5,6 x 4,0 x 3,4 m (length x width x height)

### Materials

Type of wood: robinia  
Steel wire rope  
Plastic fixings  
Inox slidings tubes (48 mm diameter) and fixings

### Technical Information

Maximum fall height	1,50 m
Security zone	53 m <sup>2</sup>
Number of children	25
Concrete required	
No surface fixation available	

### Product Description

A combination of 2 platforms that are connected by a balancing beam for children aged 6 to 14. The platforms and the roof are made of larch, the rest of the play equipment is made of robinia. The covered platform can be reached via a climbing rope or a balancing beam that goes upwards to the platform. The open platform can be reached via a climbing net and you can leave this platform with stainless steel tubes. All nuts and bolts are completely covered with flower-shaped protection caps. This construction is fixed directly into the ground by using concrete.

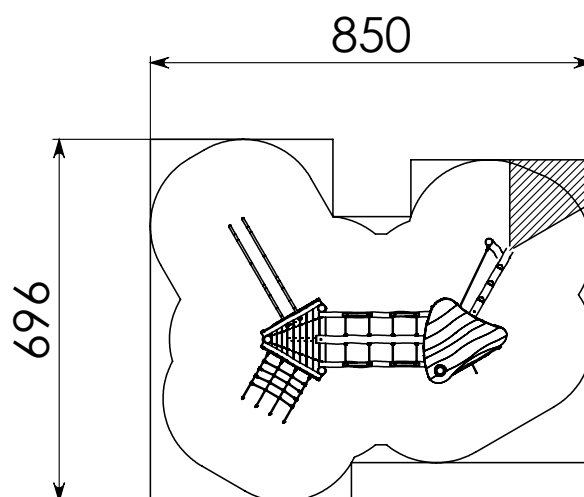
# Product Sheet

## BEETLE BRIDGE IN ROBINIA (STAINLESS STEEL TUBES)

RO500



### Security Zone



Valhoogte:  
1,5m

Afmetingen:  
5,6mx4,0mx3,4m

Oppervlakte:  
52,5m<sup>2</sup>