

# Product Sheet

---

## SWALLOW NEST

RO284

---



**4-12 YEARS**



**2-6,5 PERSONS-HOURS**

### Product Information

---

Product type Eco-play  
Certification EN-1176  
Dimensions 3,0 x 2,3 x 2,2 m  
(length x width x height)

### Technical Information

---

Maximum fall height 2,10m  
Security zone 42,5 m<sup>2</sup>  
Number of children  
Concrete required  
No surface fixation available

### Materials

---

Type of wood: robinia and larch  
Nets and ropes in 16 mm polypropylene rope with steel-wire reinforcement  
Galvanized chains  
Plastic protection caps

### Product Description

---

Robinia climbing frame for children aged 4 to 12. The swallow's nest is placed in a rectangle of 3 m by 2,3 m. Different play elements are provided on each side. There is one side with a climbing net, one side with a rope ladder and climbing rope, a side with a climbing wall with larch boards and the last side has 3 different climbing ladders. The roof has a climbing net that can be sat on or crawled over. The robinia poles should be placed directly into the ground with concrete. All nuts and bolts are fully covered with plastic caps.

# Product Sheet

---

## SWALLOW NEST

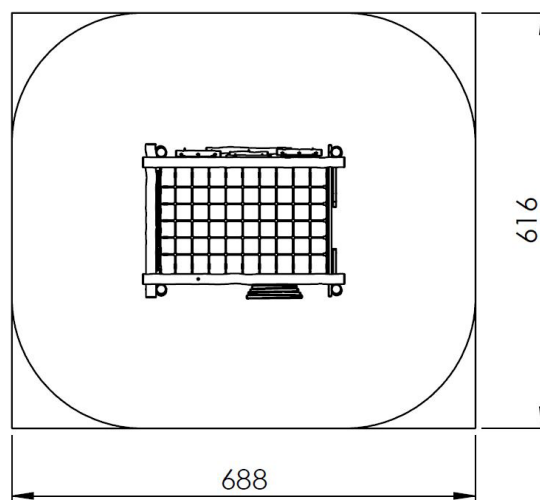
RO284

---



### Security Zone

---



**Oppervlakte:** 42,5m<sup>2</sup>    **Afmetingen (LxBxH):** 3,0 x 2,3 x 2,2m    **Valhoogte:** 2,1m

